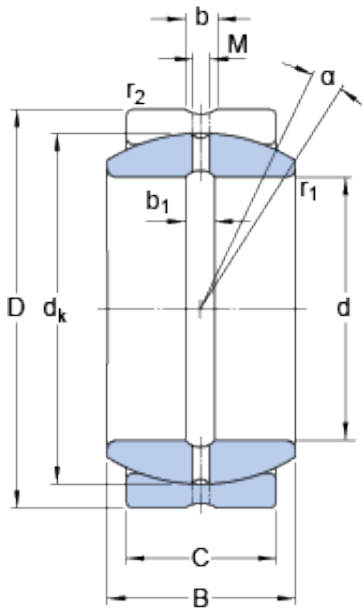




# BROWNING BEARING COMPANY

60 mm x 90 mm x 44 mm skf ge 60 es bearing

Bearing No. ge 60 es



ge 60 es Bearing 2D drawings and 3D CAD models

Size	90x60x44 mm
Bore Diameter	90 mm
Outer Diameter	60 mm
Width	44 mm
d	60 mm
D	90 mm
B	44 mm
C	36 mm
	6 °
d <sub>k</sub>	80 mm
b	6.2 mm
b <sub>1</sub>	6.2 mm
M	4 mm
r <sub>1</sub> - min.	1 mm
r <sub>2</sub> - min.	1 mm
d <sub>a</sub> - min.	66.4 mm
d <sub>a</sub> - max.	66.8 mm
D <sub>a</sub> - min.	76 mm
D <sub>a</sub> - max.	84.2 mm
r <sub>a</sub> - max.	1 mm
r <sub>b</sub> - max.	1 mm
Basic dynamic load rating - C	245 kN
Basic static load rating - C <sub>0</sub>	1220 kN
Specific factor dinamic load - K	100 N/mm <sup>2</sup>



## BROWNING BEARING COMPANY

Specific factor static load - $K_0$	500 N/mm <sup>2</sup>
Constant - $K_M$	330
Category	Spherical Plain Bearings - Radial
Inventory	0.0
Manufacturer Name	SKF
Minimum Buy Quantity	N/A
Weight / Kilogram	1.1
EAN	7316576609428
Product Group	B04264
Self Aligning	Yes
Rolling Element	Spherical Plain
Material - Outer Member	Steel
Material - Ball	Steel
Material - Liner	Not Applicable
Relubricatable	Yes
Enclosure	Open
Other Features	2 Piece   Lubrication Hole and an Annular Groove in Both Rings
Long Description	60MM Bore; 36MM Housing Width; 90MM Outside Diameter; Spherical Plain; Steel Outer Member; Steel Ball; No Liner; 44MM Overall Width; Relubricatable
Inch - Metric	Metric
Category	Plain Bearings Spherical Radial
UNSPSC	31171515
Harmonized Tariff Code	8483.30.80.70
Noun	Bearing
Keyword 3	Spherical



## BROWNING BEARING COMPANY

Keyword String	Plain Spherical Radial
Manufacturer URL	<a href="http://www.skf.com">http://www.skf.com</a>
Manufacturer Item Number	GE 60 ES
Weight / LBS	2.425
Housing Width	1.417 Inch   36 Millimeter
Overall Width	1.732 Inch   44 Millimeter
Outside Diameter	3.543 Inch   90 Millimeter
Bore	2.362 Inch   60 Millimeter
bore diameter:	60 mm
inner ring material:	Chrome Steel
outside diameter:	90 mm
outer ring width:	36 mm
misalignment angle:	6 °
grade:	Commercial/Industrial
inner ring width:	44 mm
radial static load capacity:	1220 kN
bearing type:	Radial
radial dynamic load capacity:	245 kN
lubrication type:	Requires Lubrication
operating temperature range:	-50 to +200 ° C ° F
closure type:	Open
overall width:	44 mm
outer ring material:	Chrome Steel
manufacturer upc number:	7316576609428
Lubricant	Regular relubrication – grease
Design (sliding contact surface combination)	Steel/steel
Sealing solution	-
	6 °
d <sub>k</sub>	80 mm



## BROWNING BEARING COMPANY

$b_1$	6.2 mm
$r_1$ min.	1 mm
$r_2$ min.	1 mm
$d_a$ min.	66.4 mm
$d_a$ max.	66.8 mm
$D_a$ min.	76 mm
$D_a$ max.	84.2 mm
$r_a$ max.	1 mm
$r_b$ max.	1 mm
Basic dynamic load rating C	245 kN
Basic static load rating $C_0$	1220 kN
Specific dynamic load factor K	100 N/mm <sup>2</sup>
Specific static load factor $K_0$	500 N/mm <sup>2</sup>
Material constant $K_M$	330
Mass plain bearing	1.1 kg