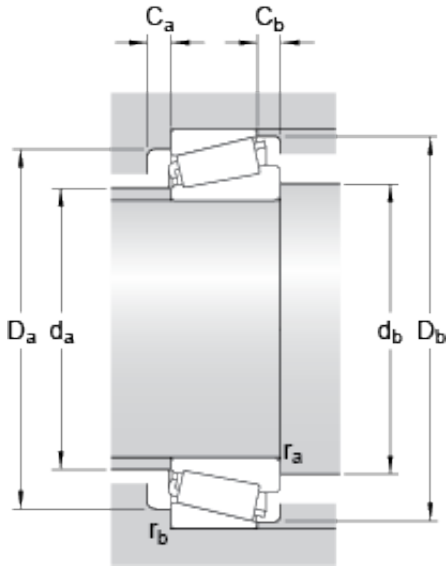




# BROWNING BEARING COMPANY



32222 Bearing 2D drawings and 3D CAD models

110 mm x 200 mm x 53 mm skf 32222 bearing

Bearing No. 32222

Dimension series	3FC
d	110 mm
D	200 mm
T	56 mm
d <sub>1</sub>	151.53 mm
B	53 mm
C	46 mm
r <sub>1,2</sub> min.	3 mm
r <sub>3,4</sub> min.	2.5 mm
a	46.367 mm
d <sub>a</sub> max.	127 mm
d <sub>b</sub> min.	124 mm
D <sub>a</sub> min.	170 mm
D <sub>a</sub> max.	188 mm
D <sub>b</sub> min.	190 mm
C <sub>a</sub> min.	6 mm
C <sub>b</sub> min.	10 mm
r <sub>a</sub> max.	3 mm
r <sub>b</sub> max.	2.5 mm
Basic dynamic load rating C	491 kN
Basic static load rating C <sub>0</sub>	570 kN
Fatigue load limit P <sub>u</sub>	61 kN
Reference speed	2600 r/min
Limiting speed	3200 r/min
Calculation factor e	0.43
Calculation factor Y	1.4



## BROWNING BEARING COMPANY

Calculation factor $Y_0$	0.8
Mass bearing	7.09 kg