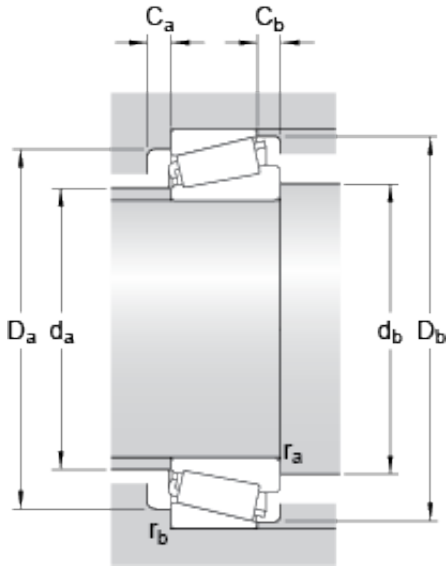




BROWNING BEARING COMPANY



33210 Bearing 2D drawings and 3D CAD models

skf 33210 bearing

Bearing No. 33210

Dimension series	3DE
d	50 mm
D	90 mm
T	32 mm
d ₁	70.8 mm
B	32 mm
C	24.5 mm
r _{1,2} min.	1.5 mm
r _{3,4} min.	1.5 mm
a	22.975 mm
d _a max.	57 mm
d _b min.	59 mm
D _a min.	77 mm
D _a max.	82 mm
D _b min.	87 mm
C _a min.	5 mm
C _b min.	7.5 mm
r _a max.	1.5 mm
r _b max.	1.5 mm
Basic dynamic load rating C	142 kN
Basic static load rating C ₀	160 kN
Fatigue load limit P _u	18.3 kN
Reference speed	5300 r/min
Limiting speed	7000 r/min
Calculation factor e	0.4
Calculation factor Y	1.5



BROWNING BEARING COMPANY

Calculation factor Y_0	0.8
Mass bearing	0.86 kg