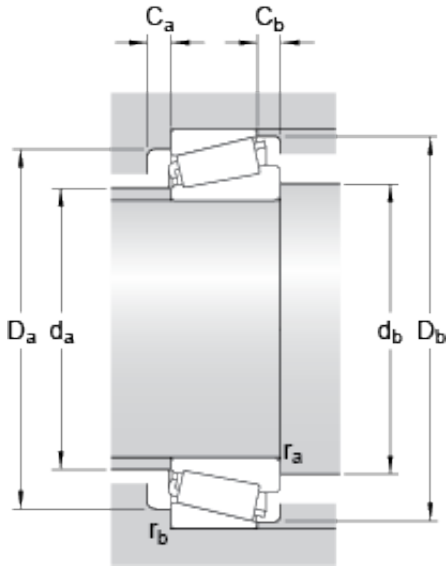




BROWNING BEARING COMPANY



32209 Bearing 2D drawings and 3D CAD models

skf 32209 bearing

Bearing No. 32209

Dimension series	3DC
d	45 mm
D	85 mm
T	24.75 mm
d ₁	64.1 mm
B	23 mm
C	19 mm
r _{1,2} min.	1.5 mm
r _{3,4} min.	1.5 mm
a	19.883 mm
d _a max.	54 mm
d _b min.	53.5 mm
D _a min.	73 mm
D _a max.	77.5 mm
D _b min.	80 mm
C _a min.	3 mm
C _b min.	5.5 mm
r _a max.	1.5 mm
r _b max.	1.5 mm
Basic dynamic load rating C	98.7 kN
Basic static load rating C ₀	98 kN
Fatigue load limit P _u	11 kN
Reference speed	6300 r/min
Limiting speed	8000 r/min
Calculation factor e	0.4
Calculation factor Y	1.5



BROWNING BEARING COMPANY

Calculation factor Y_0	0.8
Mass bearing	0.58 kg