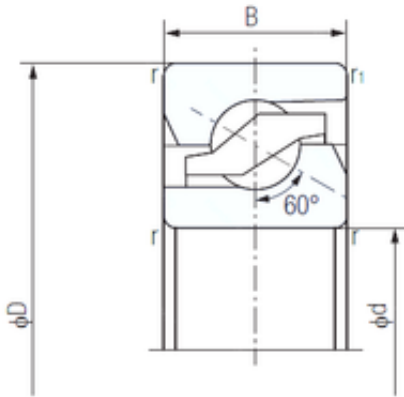




BROWNING BEARING COMPANY

30 mm x 62 mm x 15 mm nachi 30tab06 bearing



Bearing No. 30tab06

30tab06 Bearing 2D drawings and 3D CAD models

| | |
|-------------------------------|------------------|
| Size | 30x62x15 mm |
| Bore Diameter | 30 mm |
| Outer Diameter | 62 mm |
| Width | 15 mm |
| d | 30 mm |
| D | 62 mm |
| B | 15 mm |
| C | 15 mm |
| Angle () | 60 ° |
| r min. | 1 mm |
| r1 min. | 0,6 mm |
| Weight | 0,21 Kg |
| Basic dynamic load rating (C) | 29,9 kN |
| Basic static load rating (C0) | 46,4 kN |
| (Grease) Lubrication Speed | 4650 r/min |
| Enclosure | Open |
| Configuration | Single Row |
| Bore Type | Cylindrical Bore |
| Bore Size | 30 mm |
| Outside Diameter | 62 mm |
| Width | 15 mm |
| Fillet Radius/Chamfer | 1 mm |
| r1 | 0.6 mm |
| a | 0 mm |
| 2B | 30 mm |
| Dynamic Load Rating | 29,900 N |



BROWNING BEARING COMPANY

| | |
|-----------------------------------------|-----------|
| Static Load Rating | 46,400 N |
| Limiting Speed - Grease | 4,650 rpm |
| Limiting Speed - Oil | 6,000 rpm |
| Starting Torque - Grease Lubrication | 20 N · cm |
| da1 (min) | 46.2 mm |
| da2 (min) | 39.7 mm |
| Da1 (max) | 46 mm |
| Da2 (max) | 53.4 mm |