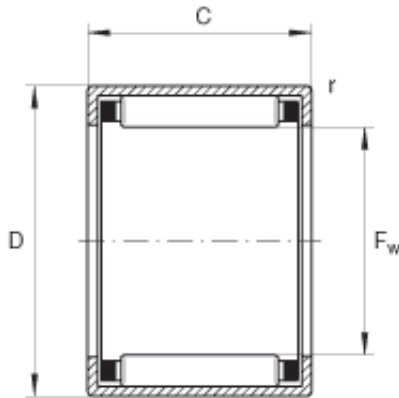




BROWNING BEARING COMPANY



ina hk1210 bearing

Bearing No. hk1210

hk1210 Bearing 2D drawings and 3D CAD models

Size	12x16x10 mm
Bore Diameter	12 mm
Outer Diameter	16 mm
Width	10 mm
F_w	12 mm
D	16 mm
C - 10 mm / Tolerance: -0,3	10 mm / Tolerance: 0,3
r_{min}	0,4 mm
m	4,6 g / Weight
C_r	4950 N / Dynamic load rating (radial)
C_{0r}	6200 N / Static load rating (radial)
C_{ur}	800 N / Fatigue limit load, radial
n_G	20700 1/min / Limiting speed
n_B	14800 1/min / Reference speed
	LR8X12X10,5 / Suitable inner ring
	IR8X12X10,5 / Suitable inner ring
Category	Needle Non Thrust Roller Bearings
Inventory	17.0
Manufacturer Name	SCHAEFFLER GROUP
Minimum Buy Quantity	N/A



BROWNING BEARING COMPANY

Weight / Kilogram	0.01
EAN	4054364024956
Product Group	B04144
Rolling Element	Needle Roller Bearing
Component	Roller Assembly with Outer Ring - No Inner Ring
Enclosure	Open
Self Aligning	No
Retainer	Yes
Number of Rows of Rollers	Single Row
Separable	No
Closed End	No
Inch - Metric	Metric
Relubricatable	No
Thrust Bearing	No
Long Description	12MM Bore; 16MM Outside Diameter; 10MM Width; Needle Roller Bearing; Roller Assembly with Outer Ring - No Inner Ring; Open Enclosure; No Self Aligning; Retainer; Single Row of Rollers; No Separable; N
Other Features	2 Rib Outer Ring Drawn Cup Bearing Steel Cage
Category	Needle Non Thrust Roller Bearing
UNSPSC	31171512
Harmonized Tariff Code	8482.40.00.00
Noun	Bearing
Keyword String	Needle
Manufacturer URL	http://www.ina.com
Manufacturer Item Number	HK1210
Weight / LBS	0.01
Width	0.394 Inch 10 Millimeter



BROWNING BEARING COMPANY

Bore	0.472 Inch 12 Millimeter
Outside Diameter	0.63 Inch 16 Millimeter